

### Packaging

Each panel is individually packaged/boxed with the product description clearly shown. The schedule location can also be stated if requested.

Separate boxes contain the auxiliary items required to complete assembly including: push fit connectors, end boxes and cover strips.

The recommended method of installation is with the use of quick release/adjustable wires. (not provided)

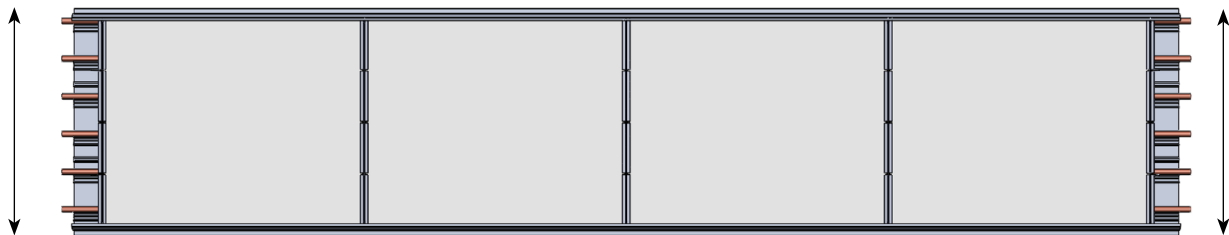
### Storage

All panels should be protected from the elements, preferably stored indoors and if stacked should be stacked panel face to panel face.

The face of the panel is the package surface without a seam and the rear of the panel is the package surface with the seam.

### Handling

The panels should be carried with the panel width in the vertical/upright position.

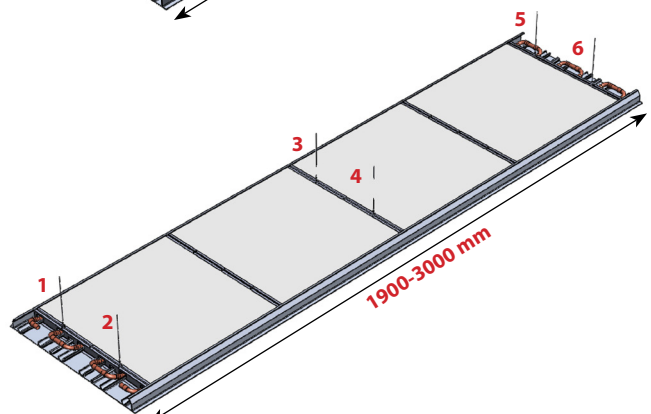
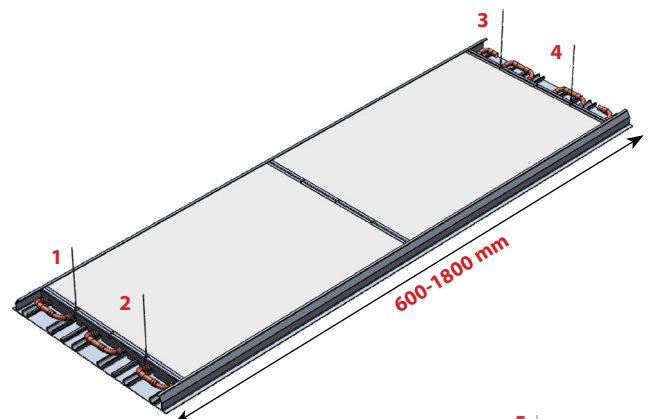


### Installation/hanging

It is recommended that panels with a length of 600-1800 mm are installed using **4** hanging wires.

Panels measuring 1900 – 3000 mm are installed using **6** hanging wires.

Once panels have been hung and levelled they can be connected using the method described in the order (crimp/solder/push-fit)

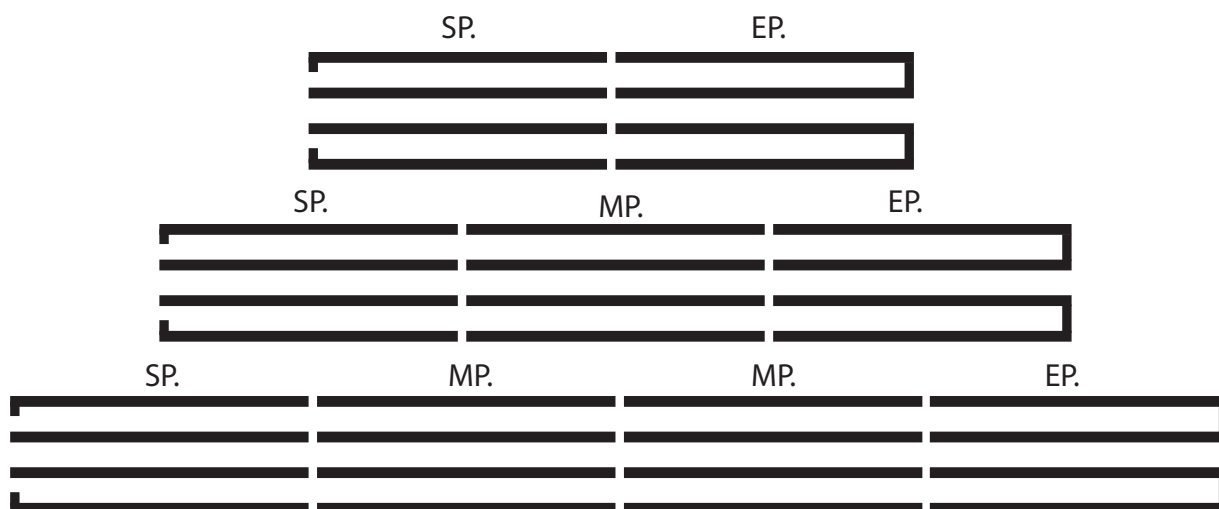


**Note\*\*** Cover strips should be installed prior to the connection of pipes and the next panel in each series.

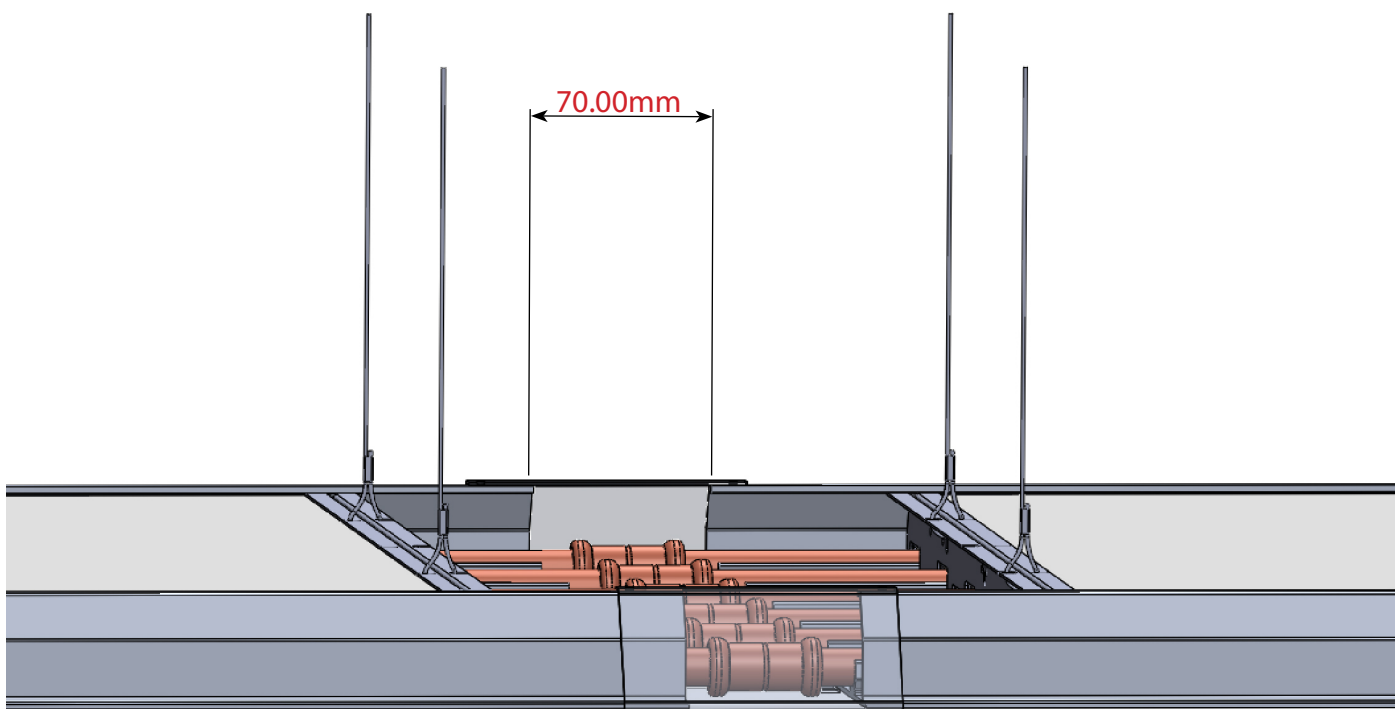
## Connecting panels in series

When purposely manufactured it is possible to connect several panels in series.

The panels are marked with product codes as per our technical catalogue. Panels should be hung and assembled as per the diagrams below; using single connections as per order (crimp/solder/push-fit).



The distance between panels should be set at 70 mm

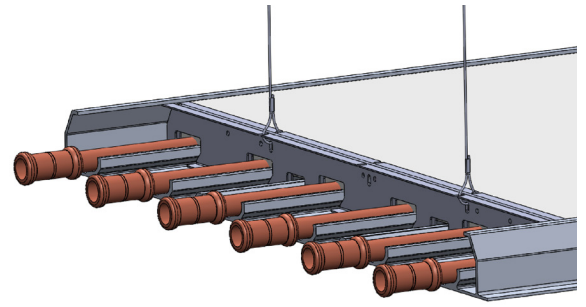


## Cover Strip

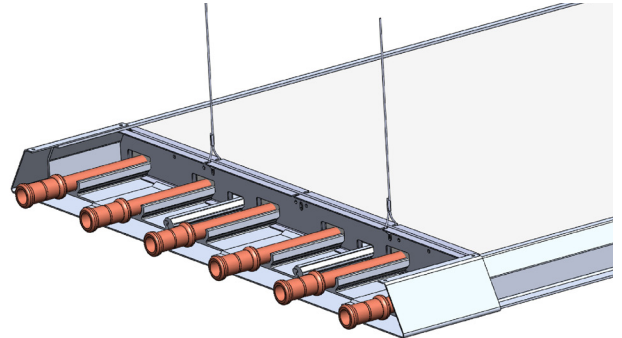
Cover strips are used to hide exposed pipework in the panel run. Cover strips slide over the outer profile of the radiant panel; covering the space between individual panels in a run.

Make sure to install the cover strip prior to the installation of the second panel in any given run. This allows enough space to make the connection between individual panels.

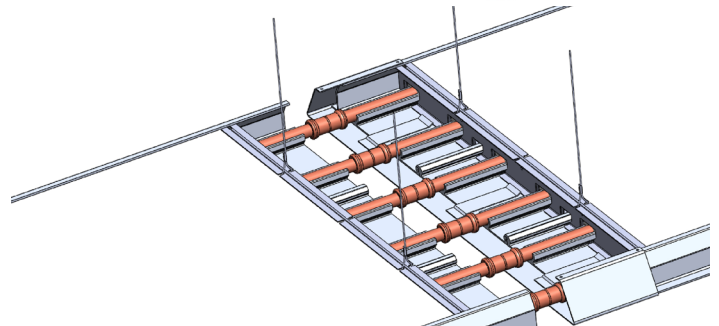
Attach pipe connections to panel 1 (SP or EP)



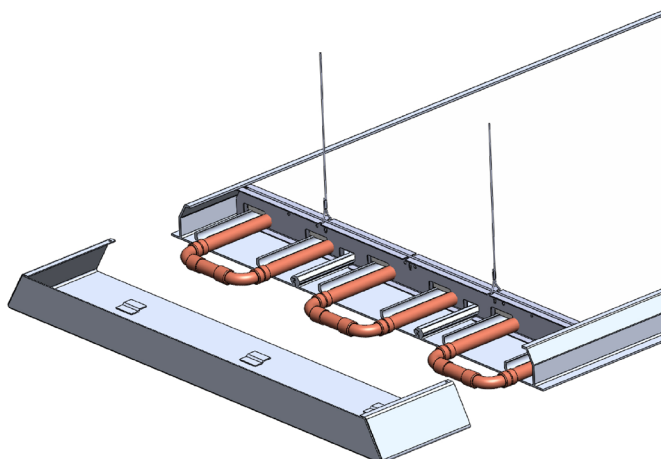
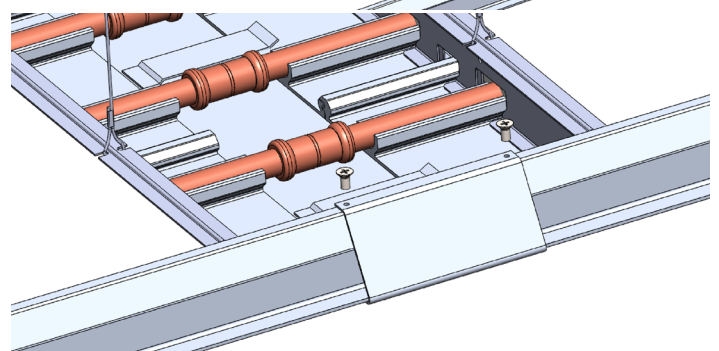
Slide the cover strip over the first radiant panel.



Manoeuvre and level the next panel in to position. Connect the corresponding pipes with the next panel in the run.



Slide the cover strip back to hide the exposed connections and secure with self-tapping screws.



### Cover End Box

End boxes are attached in the same fashion. They slide over the outer profile of the radiant panel and secure in place with self-tapping screws. Similarly they are used to hide exposed pipework at the start and end of a run.